



Manual for
drilling motor

EBM 33 FNT
EBM 33 SNT

230 V

Valid from 03.2018

Art.-Nr. 201191
201192

Subject to alterations



All rights reserved

Conformity Declaration

DR.BENDER GmbH

Innovative Elektrowerkzeuge



EC declaration of conformity (EG-RL 2006/42/EG)

Hereby the manufacturer

Dr. Bender GmbH
Industriestrasse 22
75382 Althengstett

declares for the products

EBM 33 FNT
EBM 33 SNT

The named product conforms to the following Council Directives on approximation of laws of the EEC Member States:

- Council Directive for machinery (2006/42/EC)
- Council Directive for Electromagnetic compatibility (EMC) (2004/108/EG)
- Low Voltage Guide Lines (2006/95/EG)

Conformity with the requirements of this Directives is testified by complete adherence to the following standards:

EN 50144-1
EN 50144-2-1
EN 55014-1
EN 61000-3-2
EN 61000-3-3
EN 55014-2
EN 61029-1

The instructions contained in the operating manual for installation and start up the machine have to be followed.

Authorised Person for Documentation:

Min Wei
c/o Dr. Bender GmbH
Industriestrasse 22
75382 Althengstett
Deutschland

DR.BENDER GmbH
Industriestraße 22
D-75382 Althengstett
Tel. 07051/9291-0, Fax 07051/9291-91

Althengstett, 30.07.2018

Min Wei, Managing Director

This Declaration does not include Assurance of Product Properties.
The Safety Instructions of the enclosed Product Documentation have to be respected.

Contents

	Seite
Conformity declaration	2
Contents	3
1.0 Symbol- and Pictograph description	4
1.1 Function description	4
2.0 General instructions	5
2.1 Application	5
2.2 Safety	5
3.0 Transport and storage	6
3.1 Transport	6
3.2 Storage	6
4.0 Main dimensions and technical data	7
4.1 Dimensions EBM 33 FNT	7
4.2 Dimensions EBM 33 SNT	7
4.3 Technical data	7
4.4 Noise emissions and vibrations <i>[EN 50144]</i>	8
5.0 Commissioning	8
5.1 Changing gear	9
5.2 Safety coupling	9
5.3 Core bits	9
5.4 To change a core bit	9
6.0 Safety instructions	10
7.0 Servicing and care	11
7.1 Daily care	11
7.2 After approx. 150 hours of use	11
7.3 After approx. 250 hours of use	11
7.4 Quarterly	11
8.0 Speed adjustment dependent on the cutting speed	12
9.0 Warranty	13
10.0 General safety instructions	13
11.0 Spare parts list	14
11.1 Stone drilling machine complete EBM 33 FNT	14
11.2 Stone drilling machine complete EBM 33 SNT	16
11.3 Motor complete EBM 33 F	18
11.4 Motor complete EBM 33 S	20
11.5 Gear complete	22



Warning

The safety instructions set out in this operating manual must be followed at all costs.

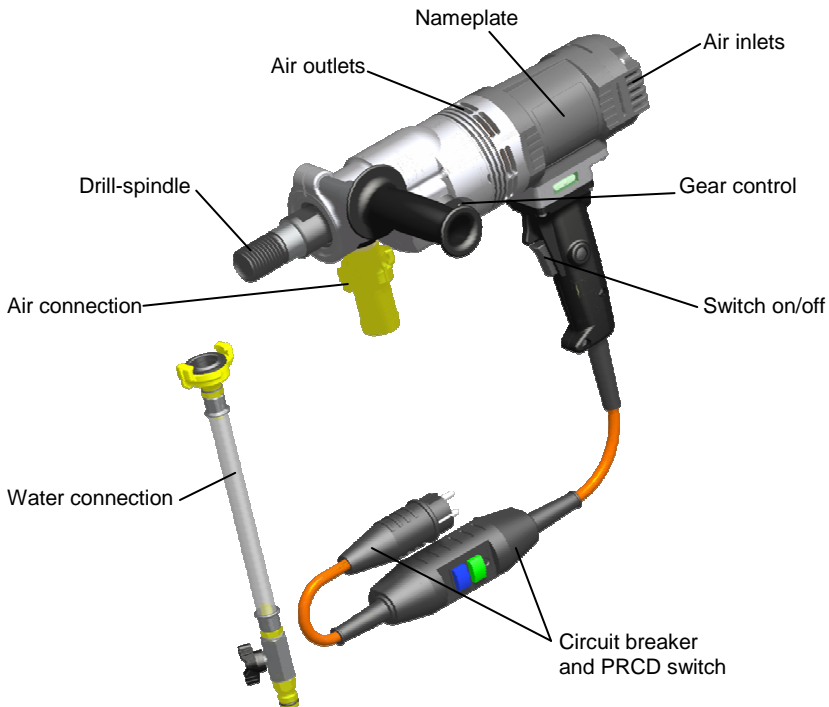
Special designs and versions may differ from the standard models in terms of their technical details. If any points are unclear, we urgently recommend that you contact DR.BENDER GmbH, indicating the machine type and machine number.

1.0 Symbol- and Pictograph description



This sign tells you rules, if you not pay attention for this your health and the function of the machine is in danger. You have no warranty if the machine breaks down because you not looking about this.

1.1 Function description



2.0 General instructions

2.1 Application

The core drills can be used for the purposes outlined by the data on the model plate. If you are using special machines, the details in the quotation and order confirmation also apply.

The core drills are supplied as standard in protection class I, only this can guarantee the full high quality production of the residual current-operated circuit-breaker or PRCD switch.

If you use suitable core bits, you will be able to drill holes in the most diverse material types:

- Concrete (even if it contains thick reinforcement steel)
- Sandstone and limestone
- All building materials for solid walls
- Asphalt floors



Warning

The core drills comply with the regulations issued by the "Stone and Earth" Professional Association issued in July 1989. They are machines of category II, which means that they must be placed on stands and be stable (pursuant to DIN 57100 or VDE 0100), the stand must be equipped with

- a reversing block, and
- a water suction device.

The machine must be connected to the 230 V mains

- direct using a personal safety switch (residual current-operated circuit-breaker or PRCD), or
- using a coded (1h) plug to a safety box (IP 44) with a residual current-operated circuit-breaker.

2.2 Safety



Warning

Before using the machine for the first time, check that the conformity of the data on the model plate with the mains voltage and frequency. Voltage deviations of $\pm 5\%$ and/or voltage deviations of $\pm 2\%$ are permissible. Repairs must only be completed by quality persons who have suitable training and qualifications.

The following points are to be given special attention:

- the technical data and details of the permitted use of the machine (commissioning, ambient and operating conditions) which are set out in the catalogue, the operating manual, the model plate data and other product information,
- the relevant accident prevention regulations
- the correct use of tools
- the use of personal safety equipment

3.0 Transport and storage

3.1 Transport



Warning

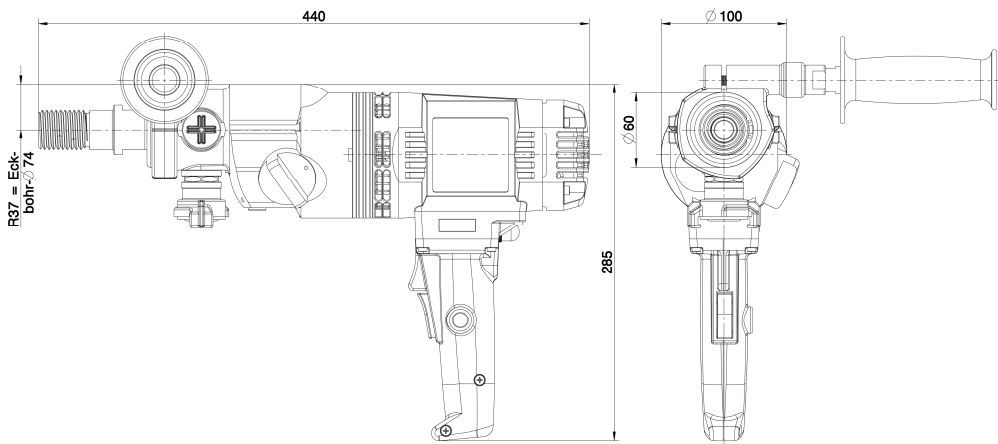
The core drills are to be checked for signs for transport damage on receipt. Any damage must be documented in writing.

1.1 Storage

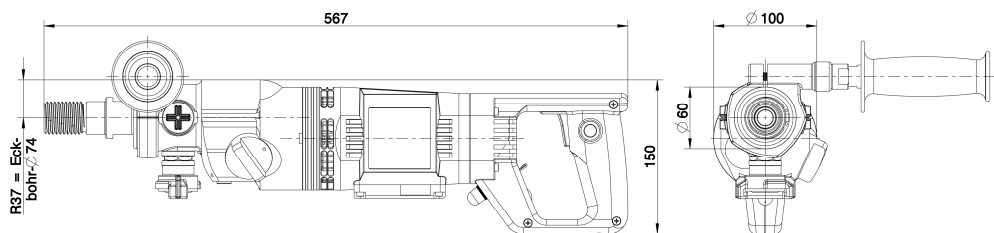
If possible, the storage site should be dry, clean and have a constant temperature. To ensure that the film of lubricant in the bearings and sealing system is not lost, the motor shaft should be turned through several revolutions by hand after a lengthy period of storage, for example at monthly intervals. The roller bearings in the motors should be replaced (or regreased) if the period between delivery and commissioning is over four years. If the machines are stored in adverse conditions, this period may differ considerably.

4.0 Main dimensions and technical data

4.1 Dimensions EBM 33 FNT



4.2 Dimensions EBM 33 SNT



4.3 Technical Data

Rated Voltage	230	V
Current consumption	9	A
Power requirement	2200	W
Frequency	50 – 60	Hz
Idling speed	830 / 2200 / 4600	min ⁻¹
Full speed	520 / 1400 / 2900	min ⁻¹
Output rating	1400	W
Torque	27 / 12 / 6	Nm
Drilling diameter	15 – 150	mm
Weight EBM 33 FNT	5,8	kg
Weight EBM 33 SNT	5,8	
Core bit connection	UNC 1 ¼ / R ½	“
Overload coupling torque	12	Nm

4.4 Noise emissions and vibrations [EN 50144]

Noise level	Noise level	Vibration
dB(A)	dB	m/s ²
88	101	< 2,5

5.0 Commissioning

Check that the mains voltage is identical with the voltage specified on the model plate.

Stand-mounted:

Secure the core drilling machine and the water collection device on the drill stand with a reverse lock. The drill stand should have high rigidity and precise, low-play guides. Ensure that the core drilling machine axis is parallel to the drill stand axis.

Insert the core bit and set the speed. Setting instructions are given on page 12.

Connect the water supply. Important: Do not exceed the max. water pressure of 3 bar.

Connect the core drilling machine to the mains via an RCCB box and a code plug 1 h or a PRCD safety switch.

Manually controlled:

When drilling a hole ensure that you are on a secure surface. Make particularly sure the core bit is not bent during the drilling process and hold the core drilling machine as rigid as possible. Concentrate hard on the work since if the core bit suddenly blocks, despite the low setting of the safety slip clutch, high forces may be generated. If you let go of the core drilling during the drilling process, you may suffer serious injury.

Only used three-core extension cables with a protective conductor and an adequate cross-section. If the cross-section is too low you may suffer excessive power loss and the motor and cable may overheat. An extension cable must be secured with an overload switch. Recommended cable cross-sections:

Rated current = 9 A							
Cable length	m	7.5	15	25	30	45	60
Cable cross-section	mm ²	2.5	2.5	2.5	2.5	2.5	4

When drilling a hole ensure that you have sufficient cooling water. Only use clean tap water, do not use dirty or waste water. Adjust the supply to the core bit diameter and drive rating of the core drill so that you do not exceed the rated current.

5.1 Changing gear



Warning

Never change gear using force and only do so when the machine is slowing down or at a standstill.

Move the gear switch handle by approx. 40° to the next higher or lower gear. If necessary (if it is difficult to engage the gear) turn the drive spindle briefly by hand until the gear engages easily. Never use tools (pliers, hammer, etc.) to change gear since otherwise gear damage will be inevitable.

5.2 Safety coupling

The values set out in the table are theoretical values and may be used to provide a rough guide for gear changing. Since a whole range of other parameters also plays a major role in adjusting the speed, we cannot offer any guarantee if the tool is damaged when using the values in the table. Drilling work for which the speeds are outside the range of the core drill (values printed in italics), should only be completed with extreme care and by trained personnel.

5.3 Core bits

All core bits with a connection thread of UNC 1 ¼" or R ½ " can be used.

Adapters can be supplied to allow core bits with other connection systems to be used.

Only use core bits that are suitable for the type of stone.

You will keep the core drill in good condition if you only use core bits that are concentric and not deformed ones.

Ensure that the diamond segments have an adequate undercut against the core bit body.



Warning

To use wrong tools or accessories is danger for your life.

5.4 To change a core bit

The drill spindle has a right-handed thread.

Always use a 32 mm open-ended spanner to hold against the drill spindle.

Never release the core bit with (hammer) blows since this will damage the core drill.

The core bit can be removed more easily if you apply a little waterproof grease to the drill spindle thread.

6.0 Safety instructions



Important

Only use the core drill under supervision. Disconnect the mains plug and check that the switch has been turned off,

- if you intend to leave the core drill unsupervised,
- for attachment and disconnection work,
- if the voltage drops (below 200 V),
- for adjustments or for fitting an accessory,

Switch off the machine if it stops for any reason. This will prevent its starting suddenly when it is not under supervision.

Do not use the tool if

- part of the casing is missing or defective,
- If water drips out of the overflow hole, stop work and have the core drill inspected by an authorised service contractor.
- Only drill above your head with suitable safety equipment (water collector), RCD and transformer protection class II.
- Connect dust extraction if required.
- After a fault do not switch on the machine again until the core bit can be turned easily.
- Check the area you wish to drill with a line detector to prevent drilling through electric cables, water or gas lines, etc.
- the switch, lead or plug connector has suffered damage (conduct a visual inspection every day).
- Cooling water must not be allowed to ingress into the motor or the electrical components when operating the core drill in any position.

Do not expose the tool to rain and use not in humidity or wet environment. Use a good lightning. Do not use the tool near flammable fluids or gase air mixes.

7.0 Servicing and care



Warning

Before starting any servicing or repair work always disconnect the mains plug. After all repairs you must have the core drilling machine inspected by an electrician (statutory regulation pursuant to VBG4 since 1.1.1990).

7.1 Daily care

Ensure that no water escapes from the overflow hole. This will cause gear damage and may reduce the electrical safety of the core drilling machine. In this case please contact an authorised service centre.

Inspect the machine for signs of damage to the switch, mains lead or plug connector.

After completing the drilling work clean the core drilling machine. Grease the core bit mounting thread. The ventilation slits must be kept clean and open at all times. Ensure that no water gets into the core drilling machine whilst you are cleaning it.

To ensure that the sealing function is maintained, oil the drill spindle:

- Disconnect the core drilling machine from the water supply. Open the water connection shut-off cock and insert a drop of oil, close the shut-off cock, place a few drops of oil into the overflow hole and turn the machine briefly by hand.

7.2 After approx. 150 hours in use

After the first 150 hours of use, the gearbox oil must be changed.

7.3 After approx. 250 hours in use

Have the carbon brushes checked, and replaced if necessary, by an electrician.

- Remove the screws. Pull the cap off the motor casing. Remove the carbon brushes screws, raise the carbon brushes retaining springs and take out the carbon brushes. Clean the carbon brush holder and collector with a paintbrush.
- Fit new carbon brushes following the above instructions in reverse. Position the cap and secure it with the screws. Fit the cap on the motor casing by tapping it gently with a rubber mallet or the like. Tighten the screws. Release the stress by tapping the cap twice.

Avoid adjusting the carbon retaining springs.

Only use original spare parts.

7.4 Quarterly

Have the cable, switch and plugs inspected by an expert (pursuant to VBG4) and document the process. Replacing the gearbox oil will considerably extend the service life of the gear.

8.0 Speed adjustment dependent on the cutting speed

	3	4	5	6	7	[m/s]
15	3820	5093	6366	7639	8913	3.Gang
20	2900	3820	4775	5730	6685	3.Gang
25	2292	2900	3820	4584	5348	3.Gang
30	1910	2546	2900	3820	4456	3.Gang
35	1637	2183	2728	3274	3820	3.Gang
40	1400	1910	2387	2900	3342	3.Gang
45	1273	1698	2122	2546	2900	3.Gang
50	1146	1528	1910	2292	2674	2 oder 3
55	1042	1400	1736	2083	2431	2 oder 3
60	955	1273	1592	1910	2228	2 oder 3
65	881	1175	1400	1763	2057	2 oder 3
70	819	1091	1364	1637	1910	2 oder 3
75	764	1019	1273	1528	1783	2 oder 3
80	716	955	1194	1400	1671	2 oder 3
85	674	899	1123	1348	1573	2 oder 3
90	637	849	1061	1273	1485	2 oder 3
95	603	804	1005	1206	1400	2.Gang
100	573	764	955	1146	1337	1 oder 2
110	520	694	868	1042	1215	1 oder 2
120	477	637	796	955	1114	1 oder 2
130	441	588	735	881	1028	1 oder 2
140	409	546	682	819	955	1 oder 2
150	382	520	637	764	891	1 oder 2
160	358	477	597	716	836	1 oder 2
170	337	449	562	674	786	1 oder 2
180	318	424	520	637	743	1.Gang
190	302	402	503	603	704	1.Gang
200	286	382	477	573	668	1.Gang
210	273	364	455	546	637	1.Gang
220	260	347	434	520	608	1.Gang
230	249	332	415	498	581	1.Gang
240	239	318	398	477	557	1.Gang
250	229	306	382	458	535	1.Gang
260	220	294	367	441	520	1.Gang
<i>Bohrø</i>		<i>Beton</i>	<i>Beton</i>	<i>Gestein</i>		
<i>[mm]</i>		<i>armiert</i>				

The values set out in the table are theoretical values and may be used to provide a rough guide for gear changing. Since a whole range of other parameters also plays a major role in adjusting the speed, we cannot offer any guarantee if the tool is damaged when using the values in the table. Drilling work for which the speeds are outside the range of the core drill (values printed in italics), should only be completed with extreme care and by trained personnel.

9.0 Warranty

In keeping with our terms of sale, we offer a warranty for twelve months from the date of sale. This refers to the free repair of material and workmanship defects, which were verifiably caused before the sale.

An original purchase document must always be submitted in case of a warranty claim. It has to contain the full address of the dealer, the date of purchase and the type designation of the product. The operating instructions of the particular product and the safety instructions must have been followed.

Damages resulting from operational faults cannot be acknowledged as warranty cases.

The products of the manufacturer have been developed and produced for specific applications. No warranty claim is accepted in case of non-compliance with the due employment according to the operating instructions, in case of the employment for other purposes than originally intended or the employment of inadequate accessories.

The periodical maintenance and cleaning of the products according to the directions of the operating instructions is absolutely necessary. The intervention of third persons (opening the machine) renders any warranty claim void.

Maintenance and cleaning operations cannot be claimed on the basis of warranty.

Make sure only original spare parts and original accessories are used. They are available at the authorized specialized product dealer. If non-original parts are used, consequential damages and increased hazard cannot be ruled out. The producer is not liable for such damages. Disassembled or partially disassembled hand saws and those repaired with non-original parts are excluded from the warranty.

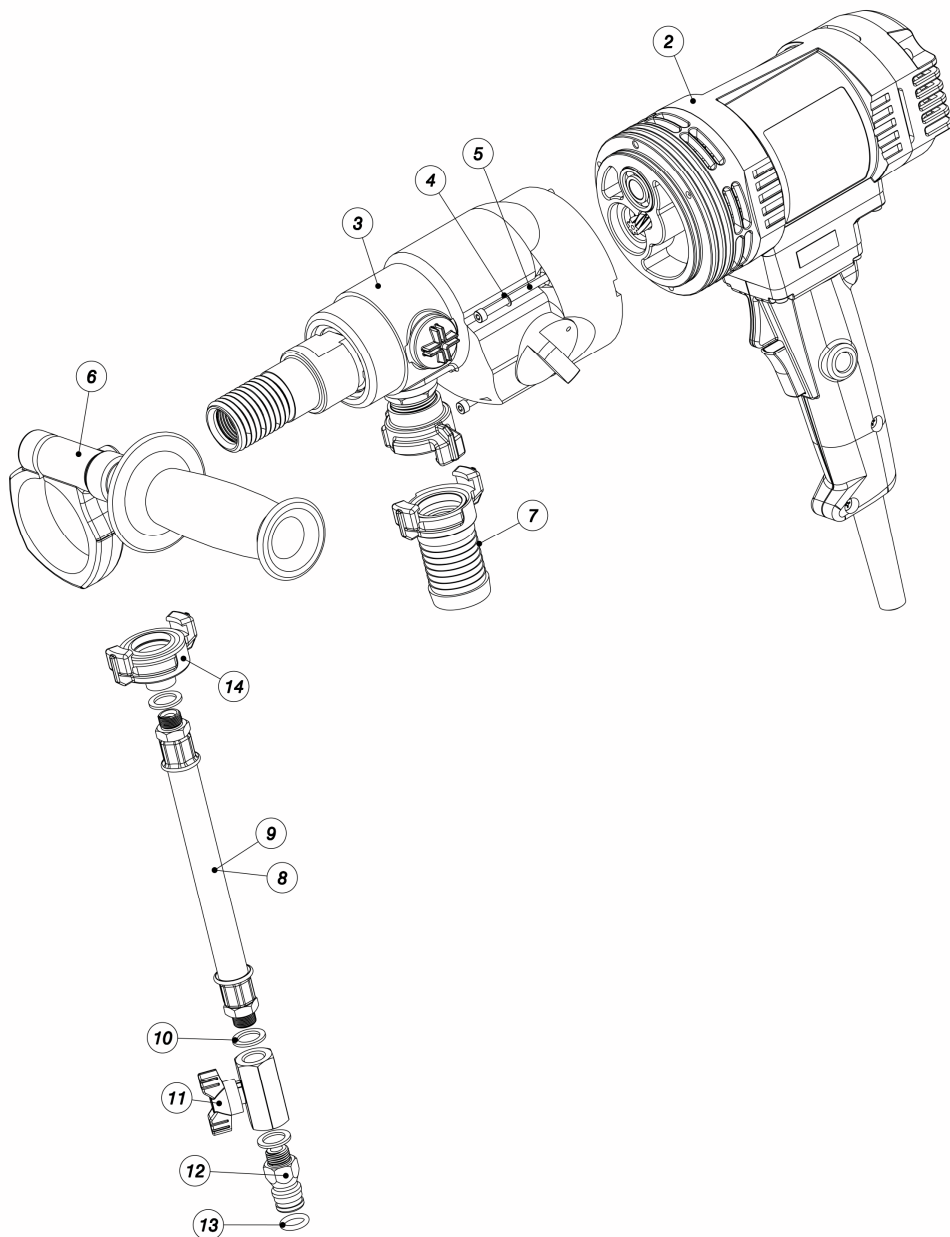
Certain components, such as carbon brushes, ball bearings, switches, power-supply lines, gaskets, etc., are exposed to usage dependent or to normal wear. These wearing parts are not object of this warranty. Wearing parts are marked on the spare parts lists.

10.0 General safety instructions

The general safety instructions can be found in the supplied safety instruction booklet.

11.0 Spare parts list

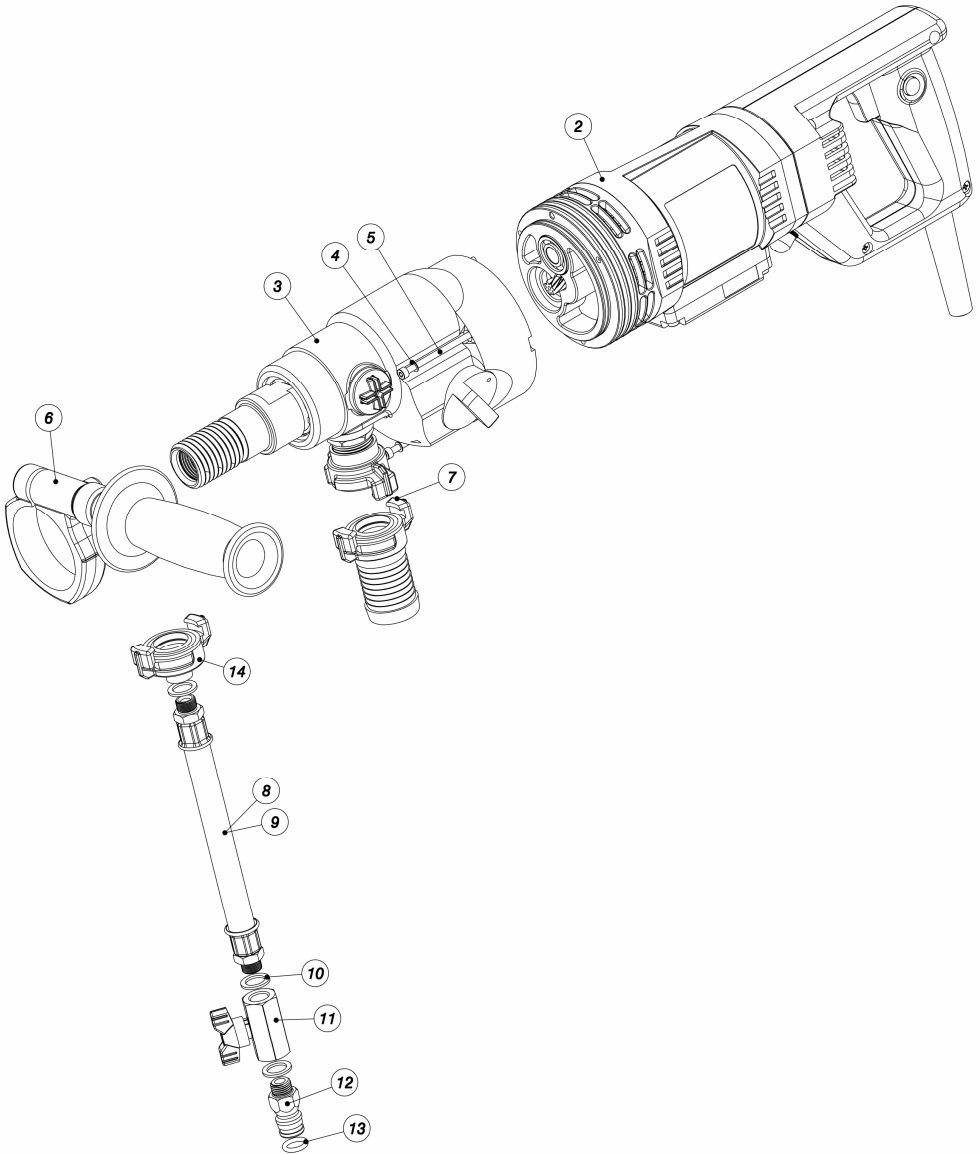
11.1 Stone drilling machine complete EBM 33 FNT



Item	Art. No.	Description	No.
1	201191	Stone drilling machine complete EBM 33 FNT	1
2	200941	Motor complete	1
3	301873	Gear complete	1
4	800076	Locking washer	3
5	901012	Hexagon socket head cap screw	3
6	400961	Handle complete	1
7	150103	Claw clutches	1
8	802693	Water connection complete	1 **
9	802692	Hose complete	1
10	800028	Sealing ring	3
11	800023	Ball cook complete	1
12	800020	Nipple	1
13	800040	O ring	1
14	801937	Claw clutches	1

Wearing parts**

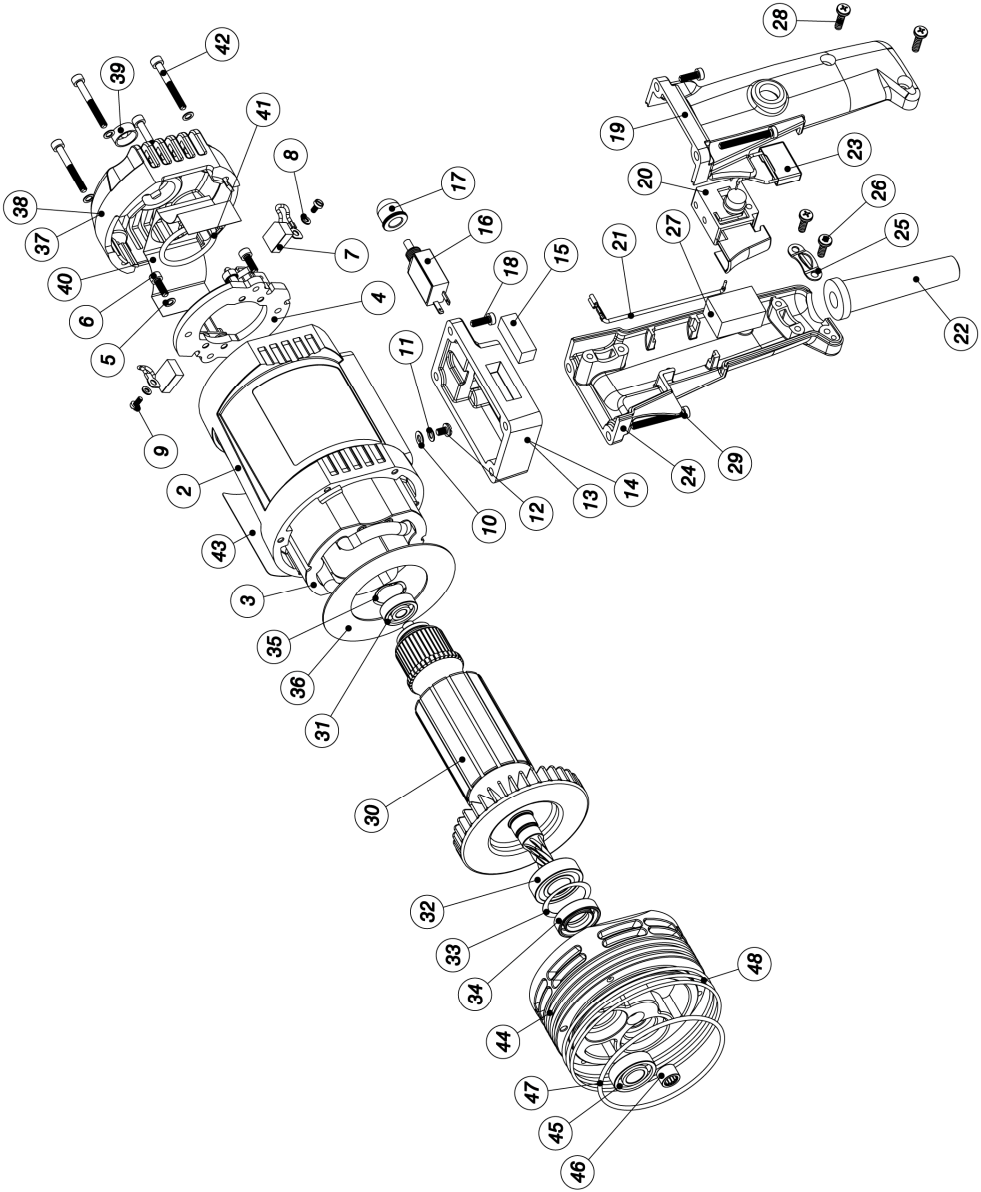
11.2 Stone drilling machine complete EBM 33 SNT



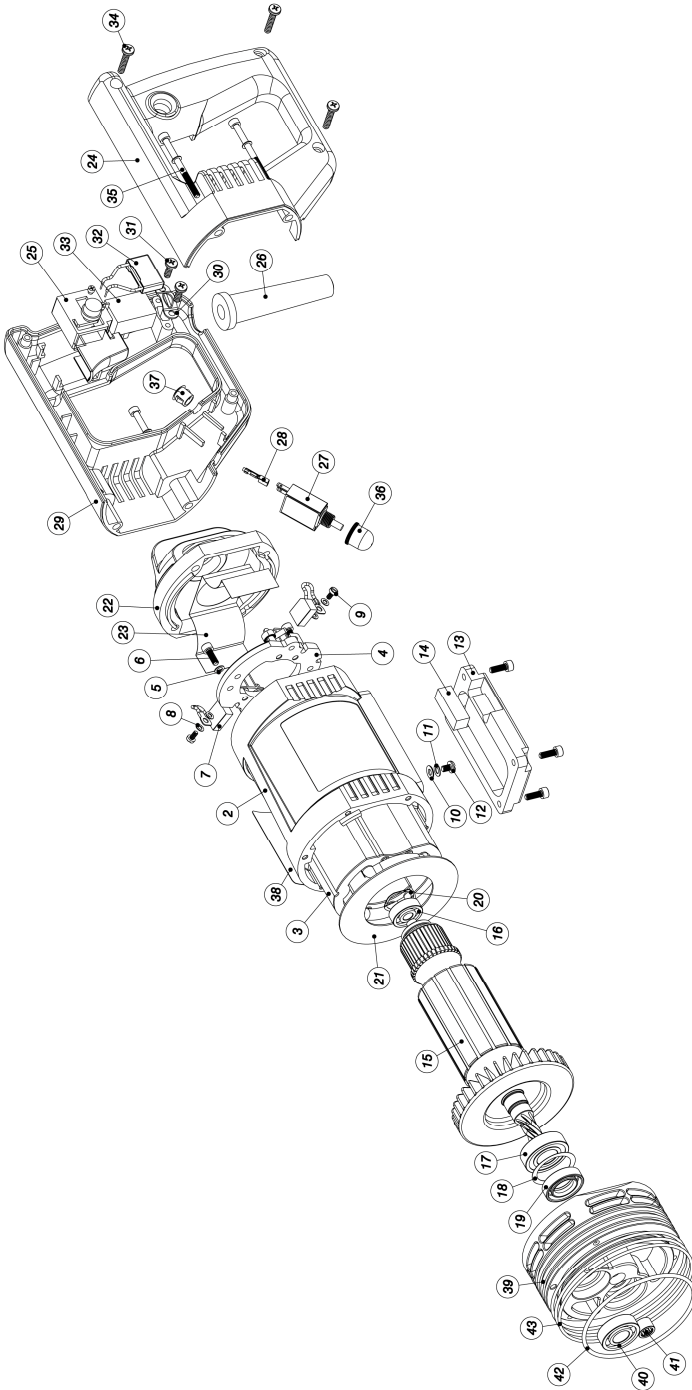
Item	Art. No.	Description	No.
1	201192	Stone drilling machine complete EBM 33 SNT	1
2	200943	Motor complete	1
3	301873	Gear complete	1
4	800076	Locking washer	3
5	901012	Hexagon socket head cap screw	3
6	400961	Handle complete	1
7	150103	Claw clutches	1
8	802693	Water connection complete	1 **
9	802692	Hose complete	1
10	800028	Sealing ring	3
11	800023	Ball cook complete	1
12	800020	Nipple	1
13	800040	O ring	1
14	801937	Claw clutches	1

Wearing parts**

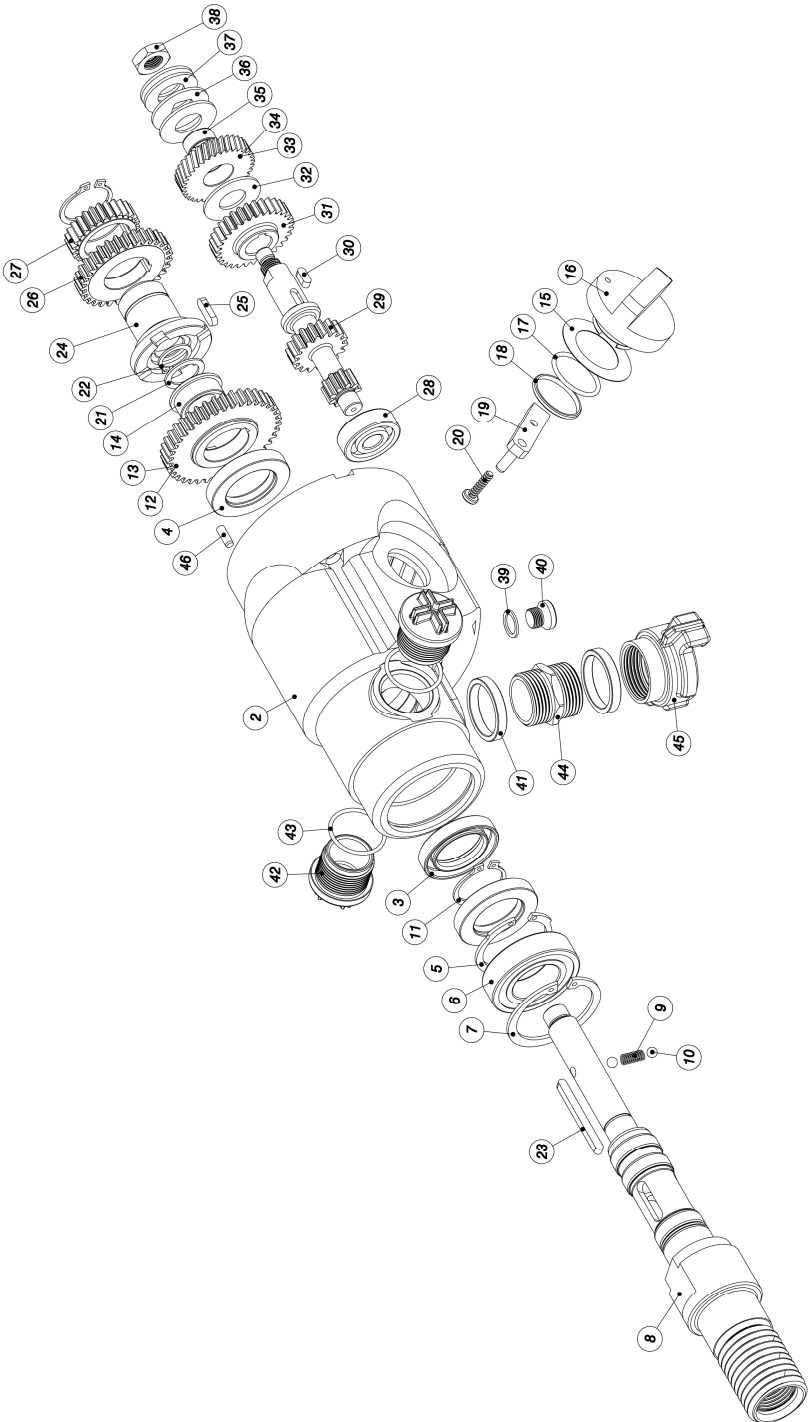
11.3 Motor complete EBM 33 F



11.4 Motor complete EBM 33 S



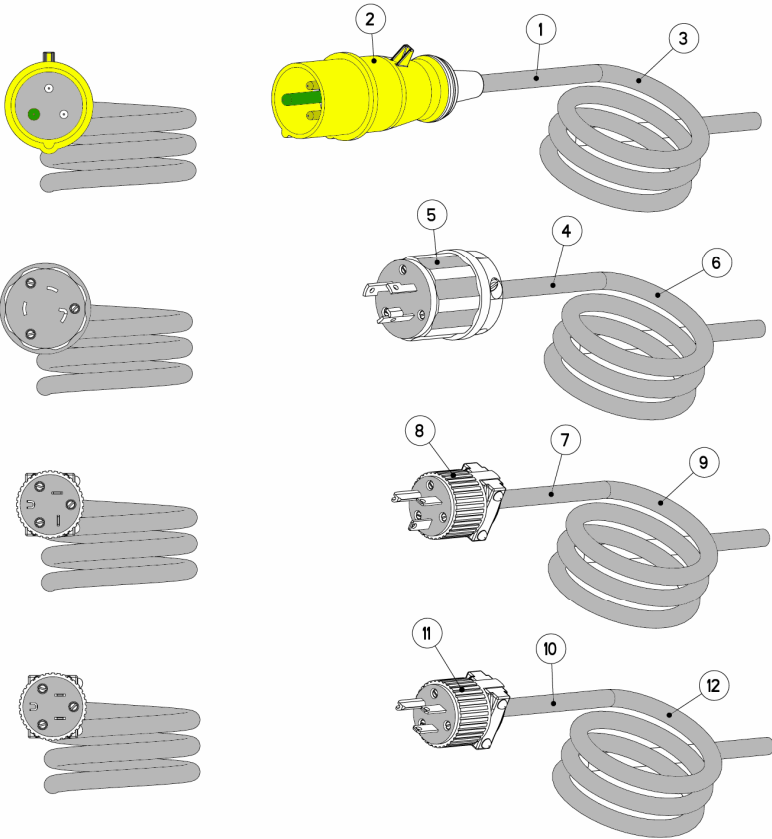
11.5 Gear complete



Item	Art. No.	Description	No.
1	301873	Gear complete	1
2	201091	Gear casing	1
3	900020	Shaft sealing ring	1 **
4	900019	Shaft sealing ring	2 **
5	800001	Locking ring	1 **
6	900000	Grooved ball bearing	1 **
7	800559	Locking ring	1 **
8	302416	Drill spindle complete	1
9	900013	Compression spring	1
10	900014	Ball	2
11	800000	Locking ring	2 **
12	401104	Loose wheel complete	1
13	300774	Control wheel / Loose wheel	1
14	401105	Bearing sleeve	1 **
15	800483	Compensation slice	1
16	100723	Control grip	1
17	801367	O ring	1
18	401038	Sleeve	1
19	401036	Switch handle complete	1
20	801755	Slotted cheese head screws	1
21	900560	Adjusting washer	1
22	800002	Locking ring	1 **
23	900764	Parallel key	1
24	300882	Control connector	1
25	900765	Parallel key	1
26	300775	Control wheel 2	1
27	300883	Control wheel 3	1
28	900486	Control wheel 2	1 **
29	300888	Reduction shaft	1
30	900127	Parallel key	1
31	300889	Speed wheel 3	1
32	400135	Brake disc	2 **
33	401040	Reduction wheel complete	1
34	300780	Reduction wheel	1
35	401041	Bearing sleeve	1 **
36	400137	Compression washer	1
37	900018	Disc spring	2
38	900008	Hexagonal nut	1
39	800027	Sealing ring	1 **
40	800026	Sealing screw complete	1
41	150047	Dichtring	2 **
42	802677	Screw plug	2
43	800100	O ring	2 **
44	802689	Double threaded nipple	1
45	802691	Claw clutches	1
46	900012	Cylindrical pin	1
47	801019	Gearbox oil 0,3 l	1 **

Wearing parts**

11.6 Connection cables and accessories



Item	Article number	Description	No.
Plugs for UK and standards for type EBM			
1	801462	Connection cable compl. 4h	1
2	900159	Plug, 4h	1
3	801328	Connection cable, finished	1
Plugs for UK and standards for type BBM			
1	801460	Connection cable compl. 4h	1
2	900159	Plug, 4h	1
3	801459	Connection cable, finished	1
Plugs for USA and Japan up to 30 amps for type BBM			
4	801321	Connection cable compl.	1
5	801317	Plug, 30A	1
6	801320	Connection cable, finished	1
Plugs for USA and Japan up to 20 amps for type EBM			
7	801461	Connection cable compl.	1
8	800200	Plug, 15A	1
9	801328	Connection cable, finished	1
Plugs for USA and Japan up to 20 amps for type EBL			
7	803182	Connection cable compl.	1
8	800168	Plug, 20A	1
9	801328	Connection cable, finished	
Plugs for Australia			
10	802839	Connection cable compl.	1
11	801809	Plug, 15A	1